

## VS2 Valvola a sfera 2 vie - tipo VS2

Two way ball valve - type VS2



### Caratteristiche:

- Valvole a sfera 2 vie a alta pressione
- Esecuzione standard in acciaio con alta percentuale di carbonio passivato giallo
- Guarnizioni standard in gomma nitrilica (NBR) antiolio. A richiesta sono disponibili in EPDM; PTFE, KARLEZ® o altro.
- Temperature esercizio con guarnizioni standard (NBR): -10°C + 100°C
- A richiesta: materiale acciaio AISI 316, attuatori, blocco di sicurezza, filetti speciali, ecc. ...

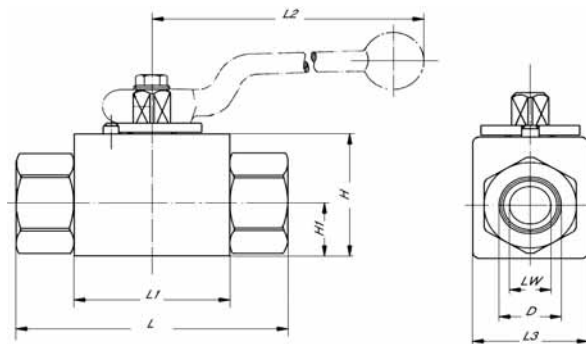
### Feature:

- Two ways high pressure ball valve
- Machined from high tensile steel zinc plated with a yellow chromate finish.
- Standard seals material are Nitrile Rubber (NBR) On request: EPDM; PTFE, KARLEZ® or other seals.
- Working temperatures with standard seals (NBR) from -10°C to + 100°C
- On request stainless steel AISI 316 version, actuator, security block, special threads, etc. ...

### Dati Tecnici

Technical data

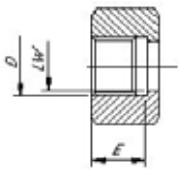
Base		Pressione		Peso
Size		Pressure		Weight
		WP	BP	
DN	inch	bar		Kg
4	1/8"	500	2000	0,500
6	1/4"	500	2000	0,500
10	3/8"	500	2000	0,650
13	1/2"	500	2000	0,750
20	3/4"	400	1600	1,400
25	1"	350	1400	2,150



Dimensioni / Dimension

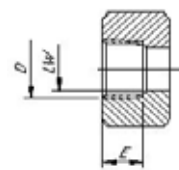
Femmina BSPP / Female BSPP

Codice Part number	Base Size		Filetto* Thread*	Dimensioni Dimension							
	DN	inch		D	LW	L	L1	L2	L3	H	H1
VS20R-02	4	1/8"	1/8" BSPP	4	71	42	110	30	35	14	11
VS20R-04	6	1/4"	1/4" BSPP	6	71	42	110	30	35	14	16
VS20R-06	10	3/8"	3/8" BSPP	10	73	44	110	35	40	17	16
VS20R-08	13	1/2"	1/2" BSPP	13	83	48	110	37	43	18	17
VS20R-12	20	3/4"	3/4" BSPP	20	95	62	180	45	55	23	21
VS20R-16	25	1"	1" BSPP	25	113	66	180	55	65	29	24
VS20R-16-20	25	1"	1"1/4 BSPP	25	121	66	180	55	65	29	24
VS20R-16-24	25	1"	1"1/2 BSPP	25	124	66	180	55	65	29	24

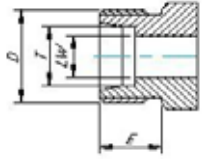


Femmina NPTF / Female NPTF

Codice Part number	Base Size		Filetto* Thread*	Dimensioni Dimension							
	DN	inch		D	LW	L	L1	L2	L3	H	H1
VS20N-02	4	1/8"	1/8" NPTF	4	71	42	110	30	35	14	11
VS20N-04	6	1/4"	1/4" NPTF	6	71	42	110	30	35	14	16
VS20N-06	10	3/8"	3/8" NPTF	10	73	44	110	35	40	17	16
VS20N-08	13	1/2"	1/2" NPTF	13	83	48	110	37	43	18	17
VS20N-12	20	3/4"	3/4" NPTF	20	95	62	180	45	55	23	21
VS20N-16	25	1"	1" NPTF	25	113	66	180	55	65	29	24
VS20N-16-20	25	1"	1"1/4 NPTF	25	121	66	180	55	65	29	24
VS20N-16-24	25	1"	1"1/2 NPTF	25	124	66	180	55	65	29	24

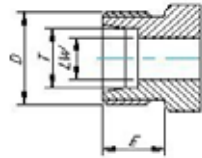


### DIN 2353 serie leggera / DIN 2353 Light series



Codice. Part number.	Base Size		T	Filetto* Thread*	Dimensioni Dimension							
	DN	inch			D	LW	L	L1	L2	L3	H	H1
VS20L-04-12	6	1/4"	6	M12x1,5	4	76	42	110	30	35	14	10
VS20L-04-14	6	1/4"	8	M14x1,5	4	76	42	110	30	35	14	10
VS20L-04-16	6	1/4"	10	M16x1,5	4	76	42	110	30	35	14	11
VS20L-06-16	10	3/8"	10	M16x1,5	10	76	44	110	35	40	17	11
VS20L-06-18	10	3/8"	12	M18x1,5	10	77	44	110	35	40	17	11
VS20L-08-22	13	1/2"	15	M22x1,5	13	86	48	110	37	43	18	12
VS20L-08-26	13	1/2"	18	M26x1,5	13	86	48	110	37	43	18	12
VS20L-12-30	20	3/4"	22	M30X2	20	108	42	180	45	55	23	14
VS20L-16-36	25	1"	28	M36X2	25	115	66	180	55	65	29	14
VS20L-16-45	25	1"	35	M45X2	25	115	66	180	55	65	29	16
VS20L-16-52	25	1"	42	M52X2	25	115	66	180	55	65	29	16

### DIN 2353 serie pesante / DIN 2353 heavy series



Codice. Part number.	Base Size		T	Filetto* Thread*	Dimensioni Dimension							
	DN	inch			D	LW	L	L1	L2	L3	H	H1
VS20S-02-16	4	1/8"	8	M16x1,5	4	76	42	110	30	35	14	11
VS20S-04-18	6	1/4"	10	M18x1,5	6	76	42	110	30	35	14	12
VS20S-05-20	8	5/16"	12	M20x1,5	8	76	42	110	30	35	14	12
VS20S-06-20	10	3/8"	12	M20x1,5	10	76	44	110	35	40	17	12
VS20S-06-22	10	3/8"	14	M22x1,5	10	83	44	110	35	40	17	14
VS20S-08-24	13	1/2"	16	M24x1,5	13	89	48	110	37	43	18	14
VS20S-08-30	13	1/2"	20	M30X2	13	93	48	110	37	43	18	16
VS20S-12-36	20	3/4"	25	M36X2	20	110	63	180	45	55	23	18
VS20S-16-42	25	1"	30	M42X2	25	120	67	180	55	65	29	20
VS20S-16-52	25	1"	38	M52X2	25	132	67	180	55	65	29	22

\* - a richiesta sono disponibili filettature UNF.

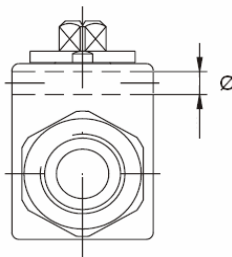
\* - UNF threads are available on request.

### A richiesta: valvole a sfera 2 vie - tipo VS2 con foratura per il montaggio

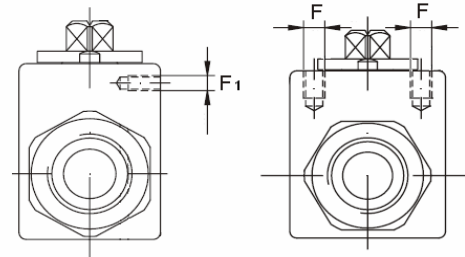
On request : Two ways ball valve - type VS2 with mounting holes

DN	Ø	F	F1
4	4,25	M5	M6
6	4,25	M5	M6
8	4,25	M5	M6
10	4,25	M6	M6
13	5,25	M6	M6
20	6,25	M6	M10
25	6,25	M6	M10

foro passante



foro filettato



## VS3 Valvola a sfera 3 vie - tipo VS3

3 way ball valve - type VS3



### Caratteristiche:

- Valvole a sfera 3 vie a alta pressione
- Esecuzione standard in acciaio con alta percentuale di carbonio passivato giallo
- Guarnizioni standard in gomma nitrilica (NBR) antiolio. A richiesta sono disponibili in EPDM; PTFE, KARLEZ® o altro.
- Temperature esercizio con guarnizioni standard (NBR): -10°C + 100°C
- A richiesta: materiale acciaio AISI 316, attuatori, blocco di sicurezza, filetti speciali, ecc. ...
- Foratura a L e a T

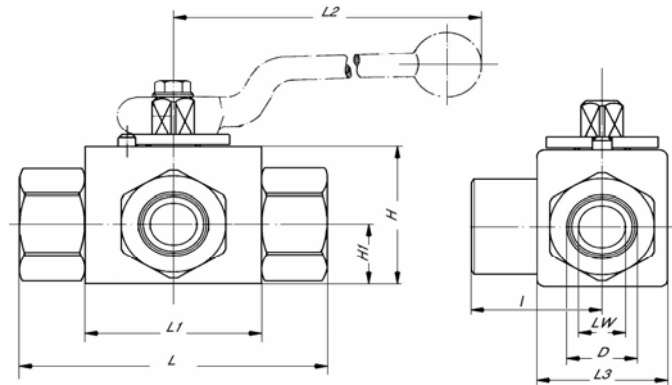
### Feature:

- 3 ways high pressure ball valve
- Machined from high tensile steel zinc plated with a yellow chromate finish.
- Standard seals material are Nitrile Rubber (NBR) On request: EPDM; PTFE, KARLEZ® or other seals.
- Working temperatures with standard seals (NBR) from -10°C to + 100°C
- On request stainless steel AISI 316 version, actuator, security block, special threads, etc. ...
- L bore and T bore

### Dati Tecnici

Technical data

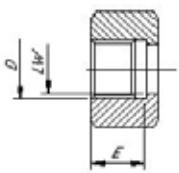
Base		Pressione		Peso
Size	inch	Pressure		Weight
		WP	BP	
DN	inch	bar		Kg
4	1/8"	500	2000	0,550
6	1/4"	500	2000	0,550
10	3/8"	500	2000	0,700
13	1/2"	500	2000	0,800
20	3/4"	400	1600	1,500
25	1"	350	1400	2,350



Dimensioni / Dimension

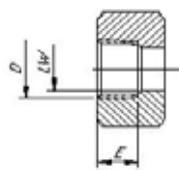
### Femmina BSPP / Female BSPP

Codice. Part number.	Base Size		Filetto* Thread*	Dimensioni Dimension								
	DN	inch		D	LW	L	L1	L2	L3	H	H1	E
VS3LR-02	4	1/8"	1/8" BSPP	4	71	42	110	30	35	14	11	33,5
VS3LR-04	6	1/4"	1/4" BSPP	6	71	42	110	30	35	14	16	33,5
VS3LR-06	10	3/8"	3/8" BSPP	10	73	44	110	35	40	17	16	37
VS3LR-08	13	1/2"	1/2" BSPP	13	83	48	110	37	43	18	17	40
VS3LR-12	20	3/4"	3/4" BSPP	20	95	62	180	45	55	23	21	52
VS3LR-16	25	1"	1" BSPP	25	113	66	180	55	65	29	24	60
VS3LR-16-20	25	1"	1"1/4 BSPP	25	121	66	180	55	65	29	24	61,5
VS3LR-16-24	25	1"	1"1/2 BSPP	25	124	66	180	55	65	29	24	61,5

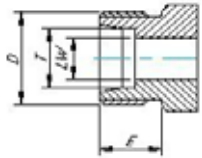


### Femmina NPTF / Female NPTF

Codice. Part number.	Base Size		Filetto* Thread*	Dimensioni Dimension								
	DN	inch		D	LW	L	L1	L2	L3	H	H1	E
VS3LN-02	4	1/8"	1/8" NPTF	4	71	42	110	30	35	14	11	33,5
VS3LN-04	6	1/4"	1/4" NPTF	6	71	42	110	30	35	14	16	33,5
VS3LN-06	10	3/8"	3/8" NPTF	10	73	44	110	35	40	17	16	37
VS3LN-08	13	1/2"	1/2" NPTF	13	83	48	110	37	43	18	17	40
VS3LN-12	20	3/4"	3/4" NPTF	20	95	62	180	45	55	23	21	52
VS3LN-16	25	1"	1" NPTF	25	113	66	180	55	65	29	24	60
VS3LN-16-20	25	1"	1"1/4 NPTF	25	121	66	180	55	65	29	24	61,5
VS3LN-16-24	25	1"	1"1/2 NPTF	25	124	66	180	55	65	29	24	61,5

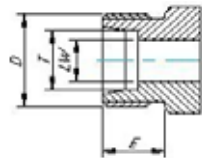


**DIN 2353 serie leggera / DIN 2353 Light series**



Codice. Part number.	Base Size		T	Filetto* Thread*	Dimensioni Dimension								
	DN	inch			D	LW	L	L1	L2	L3	H	H1	E
VS3LL-04-12	6	1/4"	6	M12x1,5	4	76	42	110	30	35	14	10	36
VS3LL-04-14	6	1/4"	8	M14x1,5	4	76	42	110	30	35	14	10	36
VS3LL-04-16	6	1/4"	10	M16x1,5	4	76	42	110	30	35	14	11	36
VS3LL-06-16	10	3/8"	10	M16x1,5	10	76	44	110	35	40	17	11	41
VS3LL-06-18	10	3/8"	12	M18x1,5	10	77	44	110	35	40	17	11	41
VS3LL-08-22	13	1/2"	15	M22x1,5	13	86	48	110	37	43	18	12	44
VS3LL-08-26	13	1/2"	18	M26x1,5	13	86	48	110	37	43	18	12	44
VS3LL-12-30	20	3/4"	22	M30X2	20	108	42	180	45	55	23	14	57
VS3LL-16-36	25	1"	28	M36X2	25	115	66	180	55	65	29	14	64
VS3LL-16-45	25	1"	35	M45X2	25	115	66	180	55	65	29	16	45
VS3LL-16-52	25	1"	42	M52X2	25	115	66	180	55	65	29	16	16

**DIN 2353 serie pesante / DIN 2353 heavy series**



Codice. Part number.	Base Size		T	Filetto* Thread*	Dimensioni Dimension								
	DN	inch			D	LW	L	L1	L2	L3	H	H1	E
VS3LS-02-16	4	1/8"	8	M16x1,5	4	76	42	110	30	35	14	11	36
VS3LS-04-18	6	1/4"	10	M18x1,5	6	76	42	110	30	35	14	12	36
VS3LS-05-20	8	5/16"	12	M20x1,5	8	76	42	110	30	35	14	12	36
VS3LS-06-20	10	3/8"	12	M20x1,5	10	76	44	110	35	40	17	12	41
VS3LS-06-22	10	3/8"	14	M22x1,5	10	83	44	110	35	40	17	14	41
VS3LS-08-24	13	1/2"	16	M24x1,5	13	89	48	110	37	43	18	14	44
VS3LS-08-30	13	1/2"	20	M30X2	13	93	48	110	37	43	18	16	44
VS3LS-12-36	20	3/4"	25	M36X2	20	110	63	180	45	55	23	18	57
VS3LS-16-42	25	1"	30	M42X2	25	120	67	180	55	65	29	20	64
VS3LS-16-52	25	1"	38	M52X2	25	132	67	180	55	65	29	22	66

\* - a richiesta sono disponibili filettature UNF.

\* - UNF threads are available on request.

**A richiesta: valvole a sfera 3 vie - tipo VS3 con foratura per il montaggio**

On request: 3 ways ball valve - type VS3 with mounting holes

DN	Ø	F	F1
4	4,25	M5	M6
6	4,25	M5	M6
8	4,25	M5	M6
10	4,25	M6	M6
13	5,25	M6	M6
20	6,25	M6	M10
25	6,25	M6	M10

